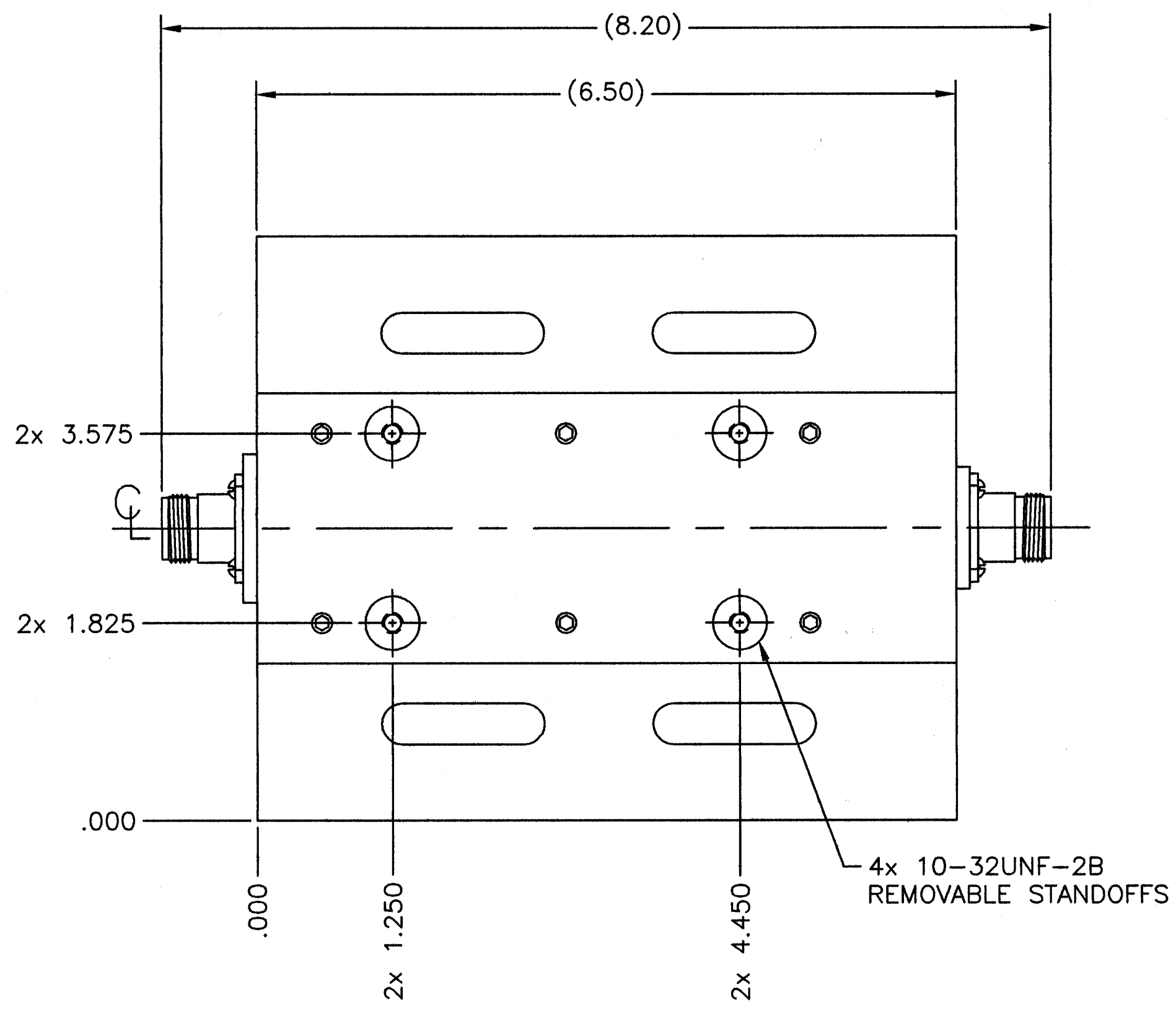
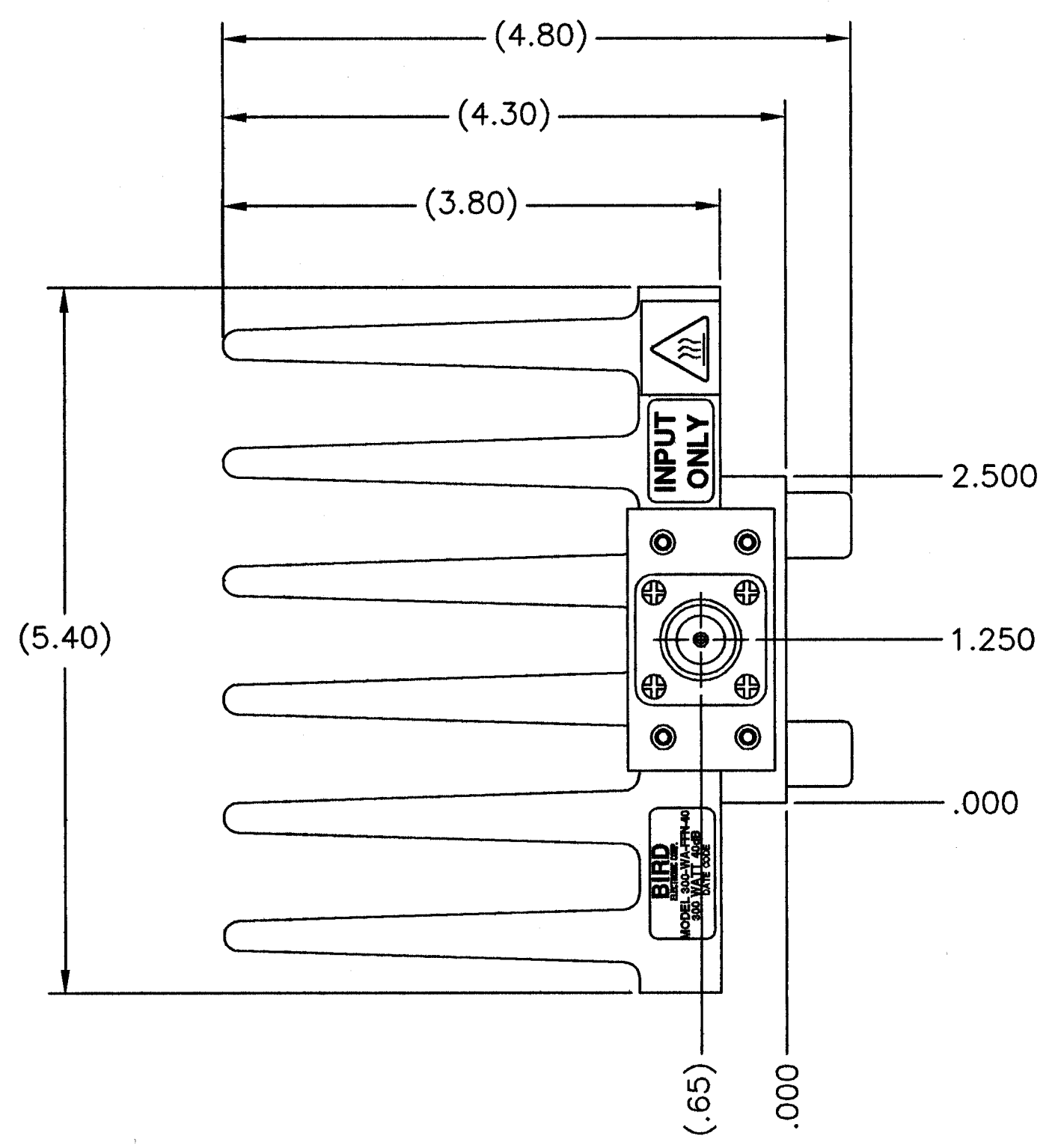



**SPECIFICATIONS:**

IMPEDANCE: 50 OHMS NOMINAL  
 ATTENUATION: 40dB ±1.5dB  
 FREQUENCY RANGE: DC TO 2.4GHz  
 VSWR: DC TO 1GHz AT 1.10:1 MAX.  
 1GHz TO 2.4 GHz AT 1.25:1 MAX.  
 POWER RATING: 300 WATTS AVG. AT 25°C AMBIENT  
 COOLING FIN: ALUMINUM, BLACK ANODIZED  
 COVER: ALUMINUM, BLACK ANODIZED  
 CONNECTOR: N-TYPE FEMALE, TRI-ALLOY PLATED  
 OPERATING POSITION: ANY POSITION EXCEPT MOUNTING SURFACE UP  
 NOMINAL SIZE: APPROX. 8.20" L X 5.40" W X 4.80" H  
 WEIGHT: APPROX. 5 LBS

| REVISIONS |     | DWG. NO.              | SHEET       | REV        |
|-----------|-----|-----------------------|-------------|------------|
| ZONE      | REV | DESCRIPTION           | DATE        | APPROVED   |
|           | A   | CONVERT TO BEC FORMAT | DMR 1-22-03 | <i>MAR</i> |



DIMENSIONS HEREON ARE FOR CUSTOMER CONVENIENCE AND REFERENCE ONLY. TOLERANCE TO BE APPLIED ONLY WHERE INDIVIDUALLY STATED ON THE RESPECTIVE DIMENSION. -DO NOT SCALE DRAWING-

|  |  |                                     |  |  |  |  |  |
|--|--|-------------------------------------|--|--|--|--|--|
| UNLESS OTHERWISE SPECIFIED DIMENSIONS ARE IN INCHES TOLERANCES ARE:        |  | MILLIMETERS<br>.X= ±.4<br>.XX= ±.12 |  | THIS DRAWING IS THE PROPERTY OF THE BIRD ELECTRONIC CORPORATION. THE DESIGNS AND SPECIFICATIONS DISCLOSED HEREON ARE PROPRIETARY AND SHALL NOT BE REPRODUCED, NOR COPIED, NOR USED AS THE BASIS FOR THE MANUFACTURE OR SALE OF APPARATUS OR DEVICES WITHOUT THEIR EXPRESS WRITTEN CONSENT. |  |  <b>BIRD Electronic Corporation</b><br>Cleveland (Solon) Ohio USA |  |
| FRACCTIONS DECIMALS ANGLES<br>± 1/64 .XX ± .010 ± 30°<br>.XXX ± .005 ± 30° |  | DO NOT SCALE DRAWING                |  | APPROVALS  |  | DATE   |  |
| MATERIAL   |  | DRAWN D.M.RINK                      |  | DATE 1-22-03   |  | TITLE ATTENUATOR, CONVECTION COOLED N-TYPE FEMALE, 40dB, 300W  |  |
| FINISH   |  | CHECKED                             |  | APPROVED <i>MAR</i>  |  | DATE 2-7-03  |  |
|  |  | AUTOCAD                             |  | SCALE 1:1  |  | FSCM NO. 70998   |  |
|  |  |                                     |  | COMM CODE LD1  |  | DWG. NO. 300-WA-FFN-40   |  |
|  |  |                                     |  | SHEET 1 OF 1   |  | REV A  |  |